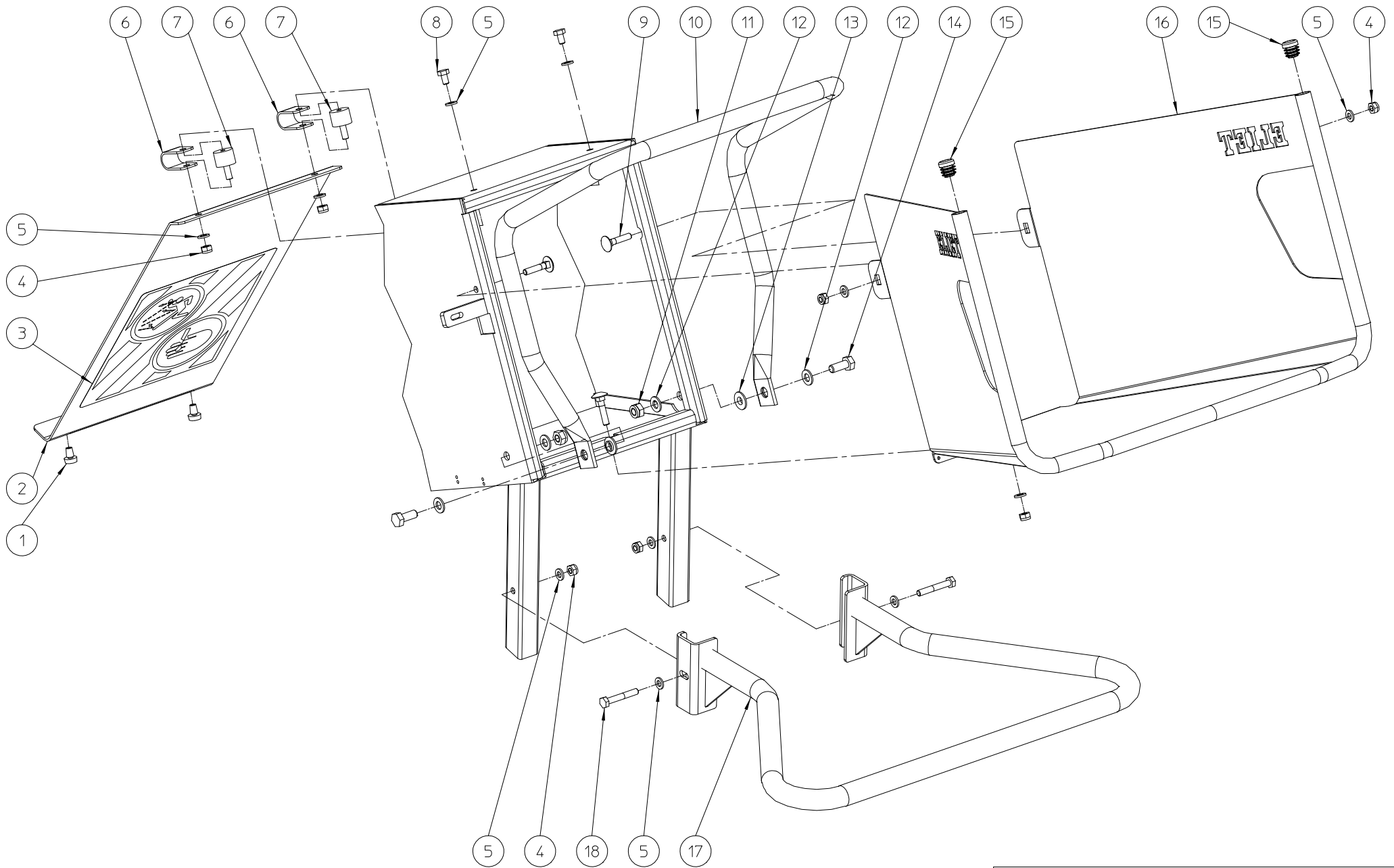


ELIET MINOR 4S -- GENERAL					
NO	MMA 01 031 100	REV	2	DATE	2014/01/24

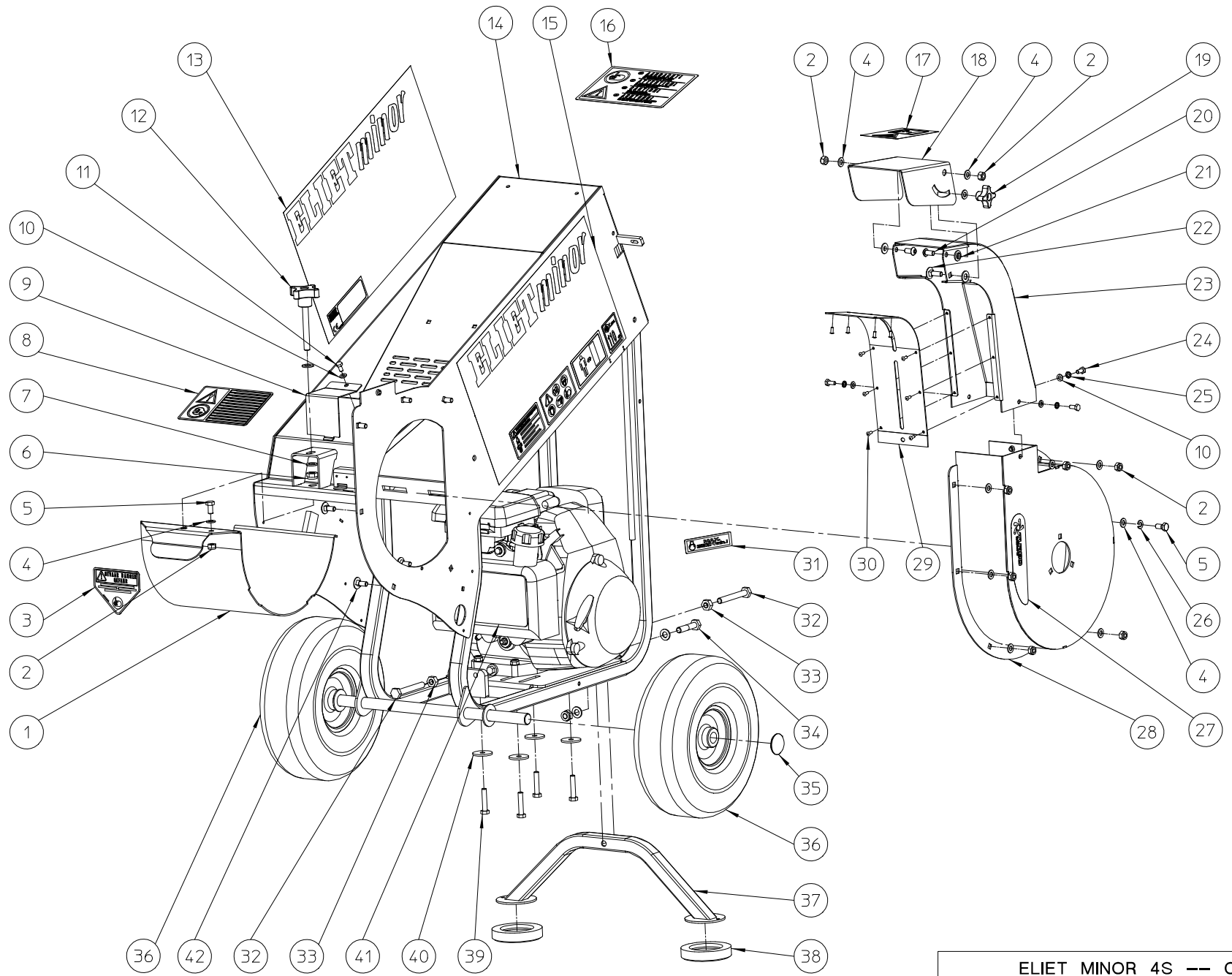
#	Order nr	article description	quantity
1	MMA 01 031 110	machine front side	1
2	MMA 01 031 120	chassis	1
3	MMA 01 031 130	rotor	1
4	MMA 01 031 140	transmission	1
5	MMA 01 031 150	electrical system	1



ELIET MINOR 4S -- AVANT MACHINE

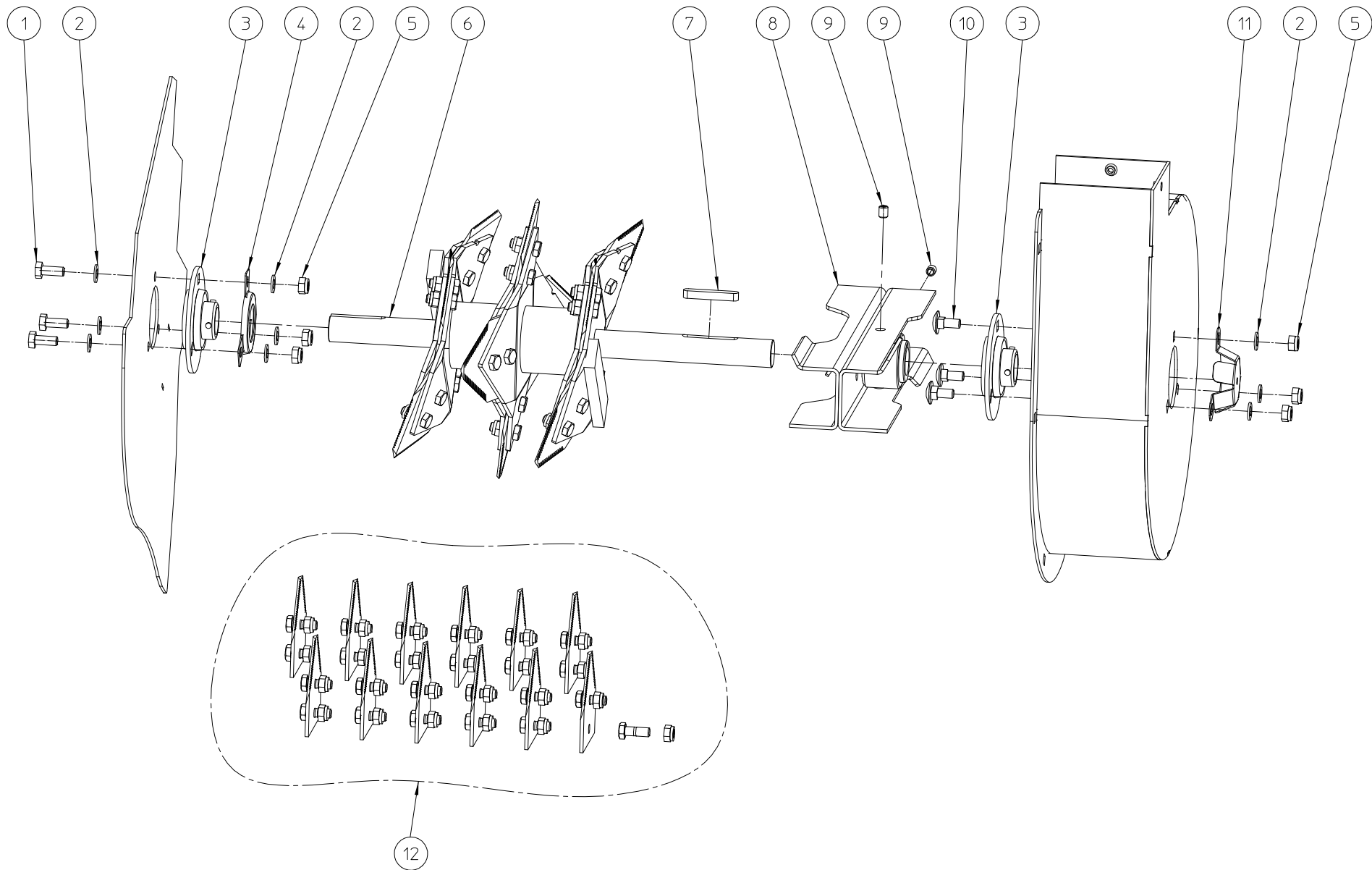
NO	MMA 01 031 110	REV	1	DATE	2014/01/24
----	----------------	-----	---	------	------------

#	Order nr	article description	quantity
1	BR 602 006 151	rubber bumper	2
2	MPA 01 030 060	anti projection shield	1
3	BQ 505 010 080	safety sticker 200x175	1
4	BS 502 000 600	self locking nut m6 din 985	7
5	BS 531 000 600	washer m6 din 125	11
6	BR 910 000 020	retainer ertalon 80x20x2	2
7	BR 600 220 150	antivibration blocks 20x15b m6x15	2
8	BS 512 000 610	bolt m6x10 din 933	2
9	BS 554 100 630	bolt m6x30 din 603	3
10	MPA 01 031 250	safety handle minor 4s	1
11	BS 502 000 800	self locking nut m8 din 985	2
12	BS 531 000 800	washer m8 din 125	4
13	BR 112 080 300	nylon bushing with collar (8.2/10.9/18x3.5/1.5)	2
14	BS 512 000 820	bolt m8x20 din 933	2
15	BR 020 501 160	tube plug 16 mm	2
16	MPA 01 031 130	hopper minor 4s	1
17	MPA 01 030 020	steering bracket	1
18	BS 511 000 640	bolt m6x40 din 931	2



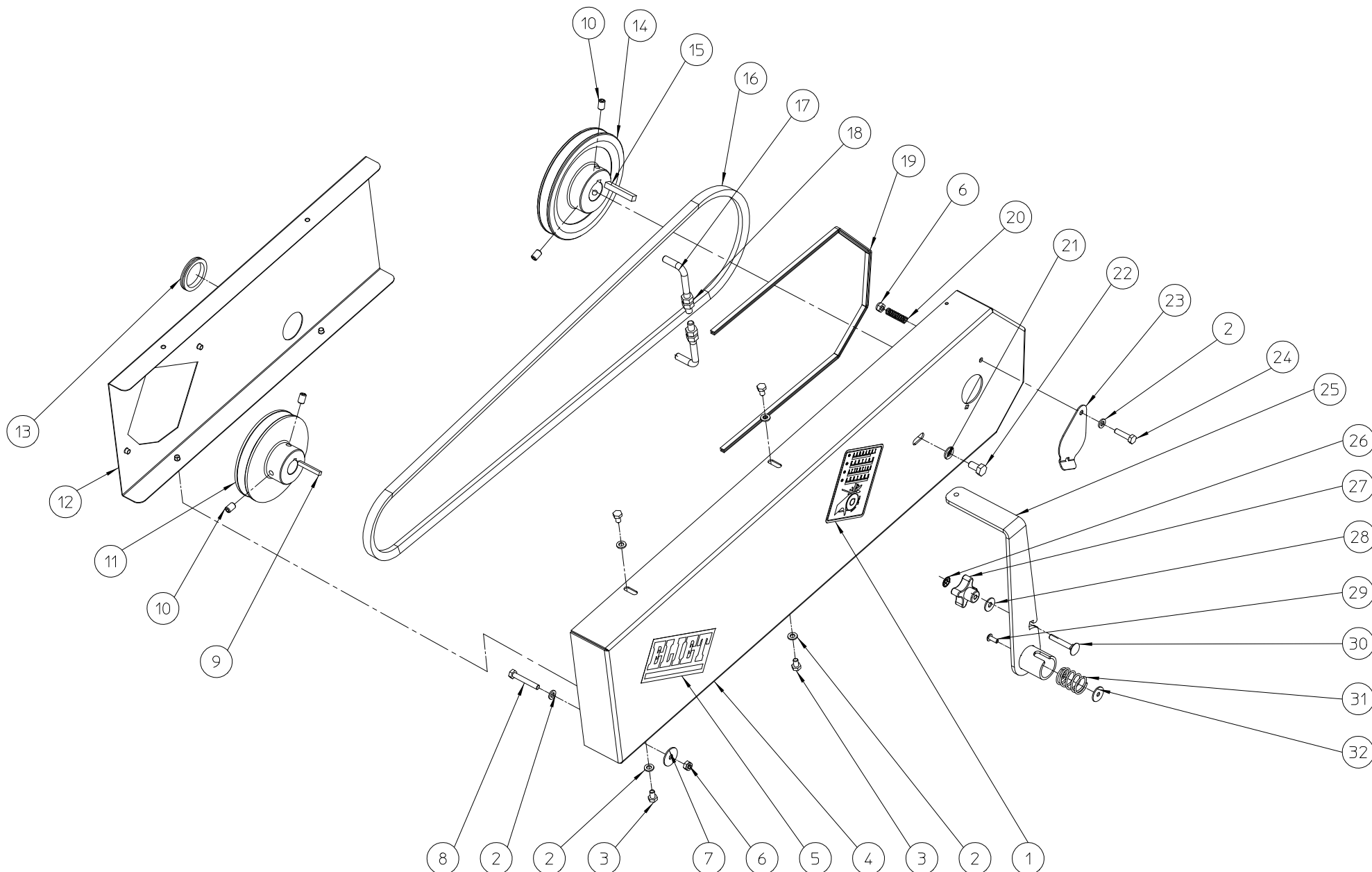
ELIET MINOR 4S --- CHASSIS					
NO	MMA 01 031 120	REV	1	DATE	2014/01/24

#	Order nr	article description	quantity
1	MPA 01 031 090	closing rotor minor 4s	1
2	BS 502 000 800	self locking nut m8 din 985	13
3	BQ 505 010 070	safety sticker 100x80 (hand cuts)	1
4	BS 531 000 800	washer m8 din 125	16
5	BS 512 000 816	bolt m8x16 din 933	2
6	BS 502 001 000	self locking nut m10 din 985	2
7	BS 531 001 000	washer m10 din 125	5
8	BQ 505 010 160	safety sticker bolts control 160x60	1
9	MPA 01 041 100	cover for safety switch mi/ma 4s	1
10	BS 531 000 600	washer m6 din 125	4
11	BS 512 000 612	bolt m6x12 din 933	1
12	BN 630 510 480	lob knob Ø60mm - m10x80	1
13	BQ 501 030 040	sticker eliet minor 4s (r)	1
14	MPA 01 031 030	chassis minor 4s	1
15	BQ 501 030 030	sticker eliet minor 4s (l)	1
16	BQ 505 010 110	safety sticker 190x125 (in feed)	1
17	BQ 505 014 100	safety sticker eject	1
18	MPA 01 031 240	directional valves blow chute minor 4s	1
19	BN 630 808 400	lob knob 188-40 m8	1
20	BS 522 500 816	screw m8x16 iso 7380	2
21	BR 112 080 300	nylon bushing with collar (8.2/10.9/18x3.5/1.5)	2
22	BS 554 100 825	bolt m8x25 din 603	1
23	MPA 01 031 080	blow chute minor 4s	1
24	BS 512 000 614	bolt m6x14 din 933	3
25	BS 534 000 600	lock washer m6 din 6798a	3
26	BS 533 000 800	lock washer m8 din 127b	1
27	BQ 501 010 110	sticker turbo discharge 220x57	1
28	MPA 01 031 040	turbine housing minor 4s	1
29	MPA 01 031 230	protection blow chute minor 4s	1
30	BB 221 104 100	pop plug alu 3.9x10 din 7337 a	10
31	BQ 505 010 030	sticker max 3200 rpm 90x25	1
32	BS 512 001 048	bolt m10x80 din 933	2
33	BS 501 001 000	nut m10 din 934	2
34	BS 511 001 042	bolt m10x50 din 931	1
35	BB 011 000 200	starlock 20mm	2
36	BW 029 020 000	wheel 4.00-4	2
37	MPA 01 030 011	foot - 2009	1
38	BR 900 000 110	rubber socks dia 90x18mm	2
39	BS 512 000 840	bolt m8x40 din 933	4
40	BS 532 008 356	washer m8x35x3	4
41	BM 202 006 000	honda gc 190	1
42	BS 554 100 820	bolt m8x20 din 603	6



ELIET MINOR 4S -- ROTOR					
NO	MMA 01 031 130	REV	1	DATE	2014/01/24

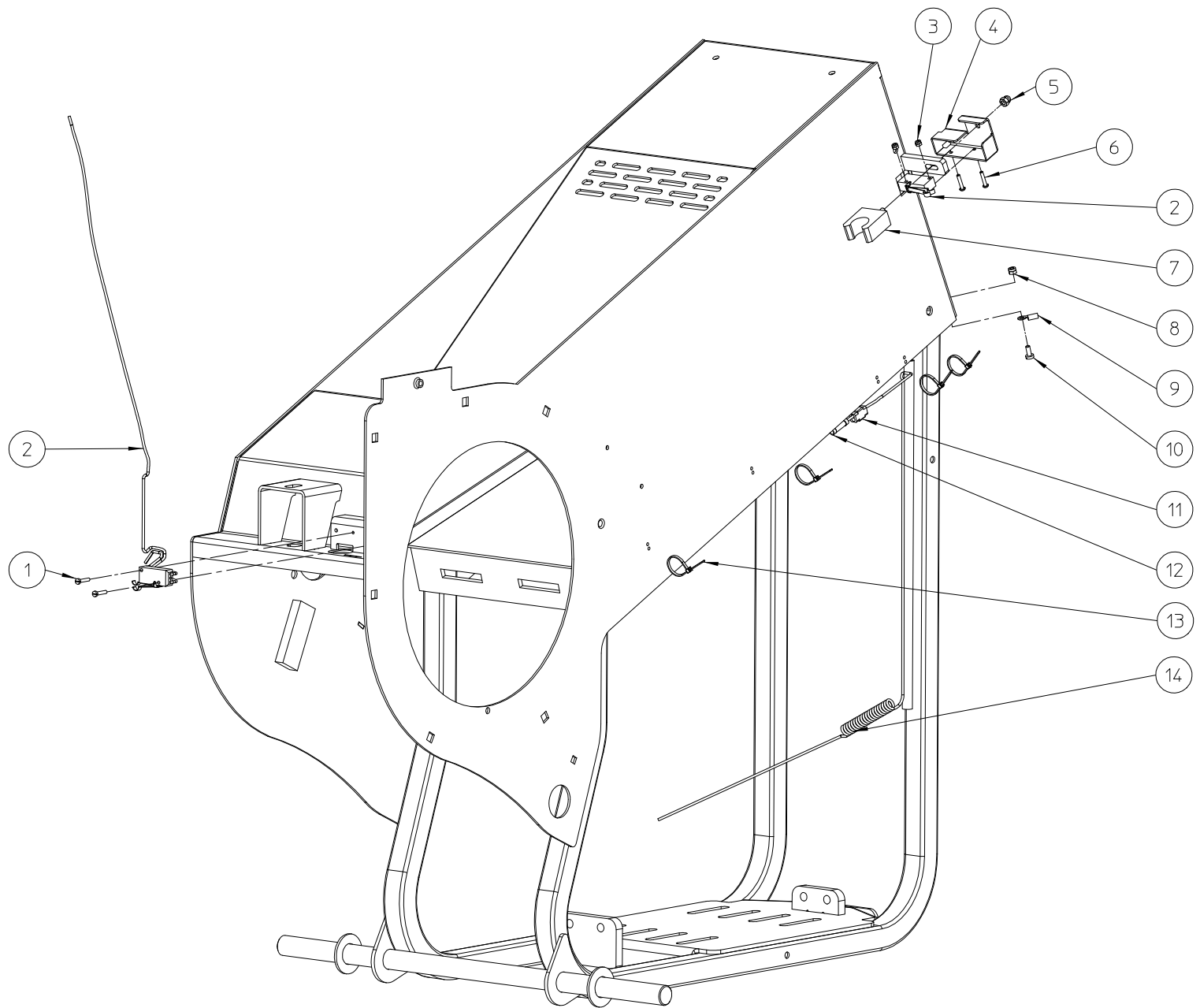
#	Order nr	article description	quantity
1	BS 512 000 820	bolt m8x20 din 933	3
2	BS 531 000 800	washer m8 din 125	9
3	BL 801 502 500	bearing + flanges aspf 205	2
4	MPA 01 041 270	bearing protection cover pf205	1
5	BS 502 000 800	self locking nut m8 din 985	6
6	MPA 01 031 060	rotor minor 4s	1
7	BB 351 080 750	key 8x7x50 din 6885a	1
8	MPA 01 031 070	propeller minor 4s	1
9	BS 023 000 810	set screw m8x10 din 916	2
10	BS 554 100 820	bolt m8x20 din 603	3
11	MPA 01 041 260	bearing protection cover pf205 + shaft	1
12	BU 401 200 301	set of knives (12)	1



ELIET MINOR 4S -- TRANSMISSION					
NO	MMA 01 031 140	REV	3	DATE	2014/01/24

#	Order nr	article description	quantity
1	BQ 505 010 130	safety sticker 100x80 (belt transmission)	1
2	BS 531 000 600	washer m6 din 125	1
3	BS 512 000 610	bolt m6x10 din 933	7
4	MPA 01 041 120	transmission guard mi/ma 4s	4
5	BQ 501 010 020	sticker eliet 130x60	1
6	BS 502 000 600	self locking nut m6 din 985	1
7	BS 532 006 253	washer m6x25x1.5	2
8	BS 512 000 640	bolt m6x40 din 933	1
9	BB 342 050 535	key 4.7x4.7x35 din 6880	1
10	BS 023 000 812	set screw m8x12 din 916 * ATTENZIONE	1
11	BA 565 711 202	pulley spa 112x19.05x4.7 l=45	4
12	MPA 01 030 120	transmission guard (inside)	1
13	BR 500 103 800	rubber plug 42x38x1.6	1
14	BA 565 714 001	pulley spa 140x25x8	1
15	BB 341 080 745	key 8x7x45 din 6880	1
16	BA 521 216 000	belt xpa 1600	1
17	MPA 01 010 180	belt catcher	2
18	BS 501 000 800	nut m8 din 934	4
19	BR 000 910 600	rubber u-moulding 600mm	1
20	BV 904 000 010	compression spring Ø8.5x30mm fil Ø1mm	1
21	BS 531 000 800	washer m8 din 125	1
22	BS 512 000 816	bolt m8x16 din 933	1
23	MPA 01 041 210	flap mi/ma 4s	1
24	BS 512 000 625	bolt m6x25 din 933	1
25	MPA 01 041 140	lever to unblock mi/ma 4s	1
26	BB 011 000 050	starlock 5mm	1
27	BN 630 206 000	lob knob 188-40 m6	1
28	BS 532 006 183	washer m6x18x1.5	1
29	BB 221 005 120	pop plug steel 4.8x12 din 7337 a	1
30	BS 554 100 640	bolt m6x40 din 603	1
31	BV 904 000 020	compression spring lever h.32 dia e.24 galvanized nt.6	1
32	BS 532 005 202	washer m5x20x1.5	1

* **ATTENZIONE** Serrare a 18Nm. Applicare Loctite blu (243)



ELIET MINOR 4S -- ELECTRIQUE

NO	MMA 01 031 150	REV	1	DATE	2014/01/24
----	----------------	-----	---	------	------------

#	Order nr	article description	quantity
1	BS 541 000 316	screw m3x16 din 84	2
2	BE 120 010 500	safety switch	2
3	BS 502 000 300	self locking nut m3 din 985	2
4	MPA 01 010 200	cover for safety switch	1
5	BS 505 500 500	nut m5 din 1587	1
6	BS 522 500 316	screw m3x16 iso 7380	2
7	BT 654 001 901	clam 19mm	1
8	BS 502 000 400	self locking nut m4 din 985	1
9	BE 031 013 000	eyed terminal m6	1
10	BS 541 000 410	screw m4x10 din 84	1
11	BE 031 034 201	blue wire connector 2.5mm	1
12	BE 031 013 400	cable connexion red	1
13	BE 043 010 100	wrap tie 100x2.5	4
14	BE 090 231 041	red wire 1.5 ce 104	1